

GPS/Quadband Combination Antenna



The GCRFA GPS/quadband antenna combines GPS, cellular/PCS, and 2.4GHz into one compact package for your vehicle/asset tracking requirements. The GCRFA replaces up to five different antennas. No need for multiple installations when one will do.

A 27dB GPS amplifier with wide operating voltage range of 3V to 5V, allows the GCRFA to function with a variety of GPS receivers.

Three separate RG174 cables used for GPS, cellular/PCS, and 2.4GHz. RG316 cables are available as well as a wide variety of connectors, including Hirose and FAKRA connectors.

Cable lengths and connector configurations customized to meet your requirements.

Features

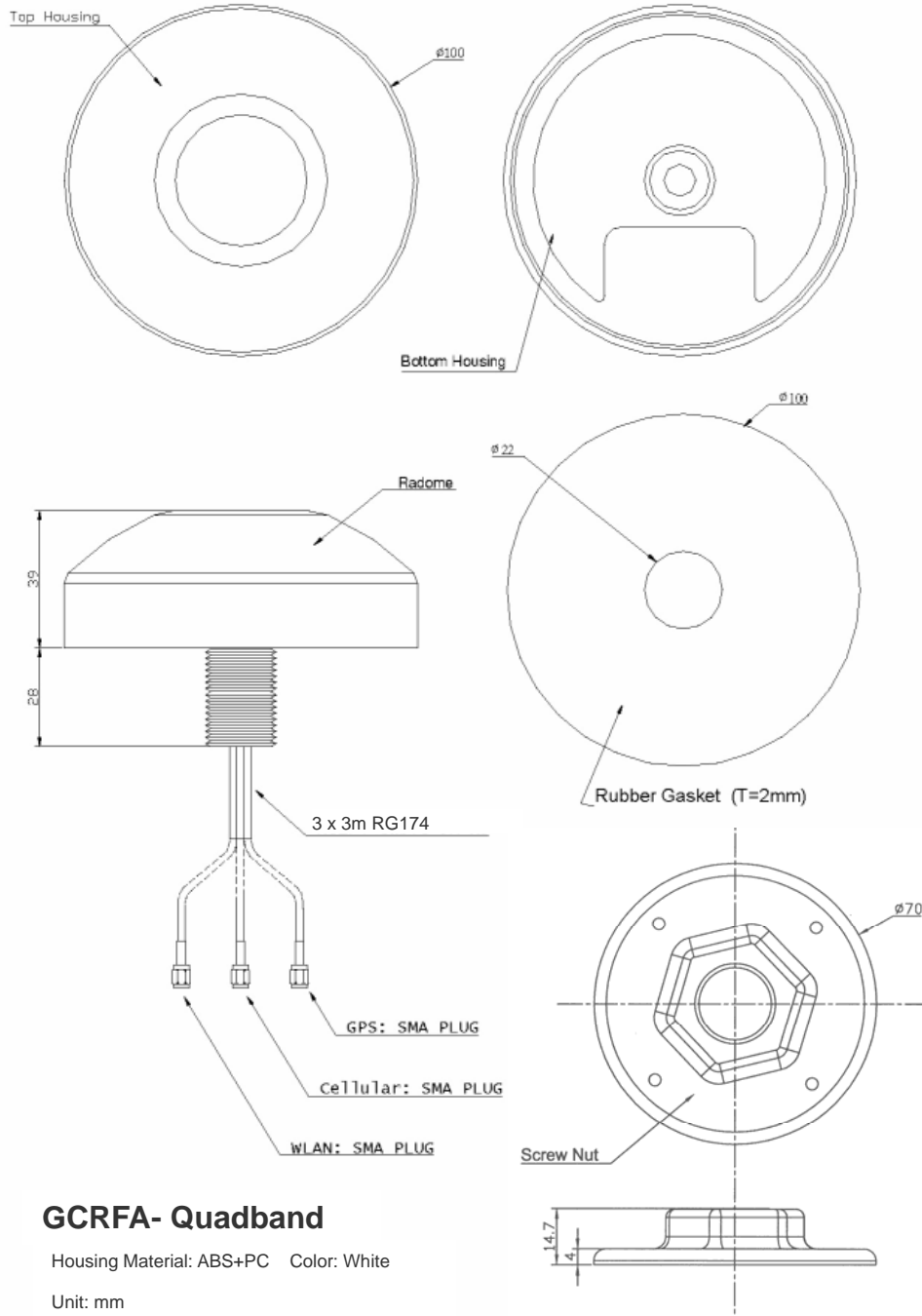
- ✓ 27dB GPS Antenna
- ✓ Operates at 824-960MHz, 1850-1990MHz, and 2.4-2.4835GHz
- ✓ Compact size 3.9" dia. x 1.5" height
- ✓ 3V-5V GPS operating voltage range
- ✓ Roof-mount

GPS Antenna:	
Frequency	1575.42 ± 3 MHz
VSWR	1.5 max.
Bandwidth	20 MHz min. at -10 dB
Axial Ratio	3dB typical
Impedance	50Ω
Peak Gain	4 dBic min. (7cm x 7cm ground plane)
Gain Coverage	≥ -4dBic at -90° ≤ θ ≤ 90° (over 75% volume)
Power Handling	1 Watt
Polarization	RHCP
Amplifier Gain	27 dB typical
Noise Figure	1.5 dB typical
Output VSWR	2.0 max.
DC Voltage	3.0 V to 5.5V
DC Current	22±3 mA
Cellular/PCS and 2.4GHz Antenna	
Frequency	824-960MHz, 1850-1990MHz, 2.4-2.4835GHz
VSWR	2.0 : 1
Impedance	50Ω
Pattern Type	Omni-directional
Power Handling	25 Watts max.
Mechanical:	
Weight	9.88 oz. (0.28 kgs) max. (without cable)
Size	3.9" dia. x 1.5" height (100mm x 39mm) 1.1" (28mm) stem height
Cable Type & Length (Standard)	GPS: 9.8' (3m) RG174 800/900/1900: 9.8' (3m) RG174 2.4GHz: 9.8' (3m) RG174
Connector (Standard, Others available)	GPS: SMA plug 800/900/1900: SMA plug 2.4GHz: SMA plug
Mounting	Threaded permanent mount
Environmental:	
Working Temperature	-40°F < T < +185°F (-40°C < T < +85°C)
Storage Temperature	-50°F < T < +203°F (-50°C < T < +95°C)
Vibration	Sine Sweep, 1G(0-P), 10-150-10Hz each axis
Weatherproof	Waterproof

Note: Specifications subject to change without notice.



MECHANICAL DRAWING



GCRFA- Quadband

Housing Material: ABS+PC Color: White

Unit: mm