

ENCLOSED SILICONE LOADBREAK CUTOUT/DISCONNECT

Impact Power's mission is to develop and distribute environmentally-friendly and user-friendly distribution-class loadbreak switches. We value our customers' needs and requirements with responsive service.

Impact Power's new enclosed silicone cutout/disconnect is designed to protect the lineman as well as animals. Its features offer utilities an alternative cost-saving solution to the standard loadbreak cutouts.

	Cutout	Disconnect
Maximum Voltage Rating	5.2kV	5.2kV
Continuous Current	100A	300A
Interrupting Current (asym)	10kA	
Fault Current Carrying (asym)		12kA
BIL	75kV	75kV



FEATURES/BENEFITS

- ✓ UV-resistant
- ✓ Light weight
- ✓ High leakage distance
- ✓ Requires less pole space compared to open cutouts
- ✓ Easily converts to a 300A disconnect switch
- ✓ Reduced damage caused by transportation and installation
- ✓ Suitable for coastal regions or high pollution areas
- ✓ Easy handling and installation
- ✓ Highest possible degree of safety

The enclosed design offers the highest possible degree of safety. Its high interrupting capacity and shielded live parts keep the lineman safe and provide animal protection as well. Its design also reduces and keeps the exhaust blast away from the lineman.

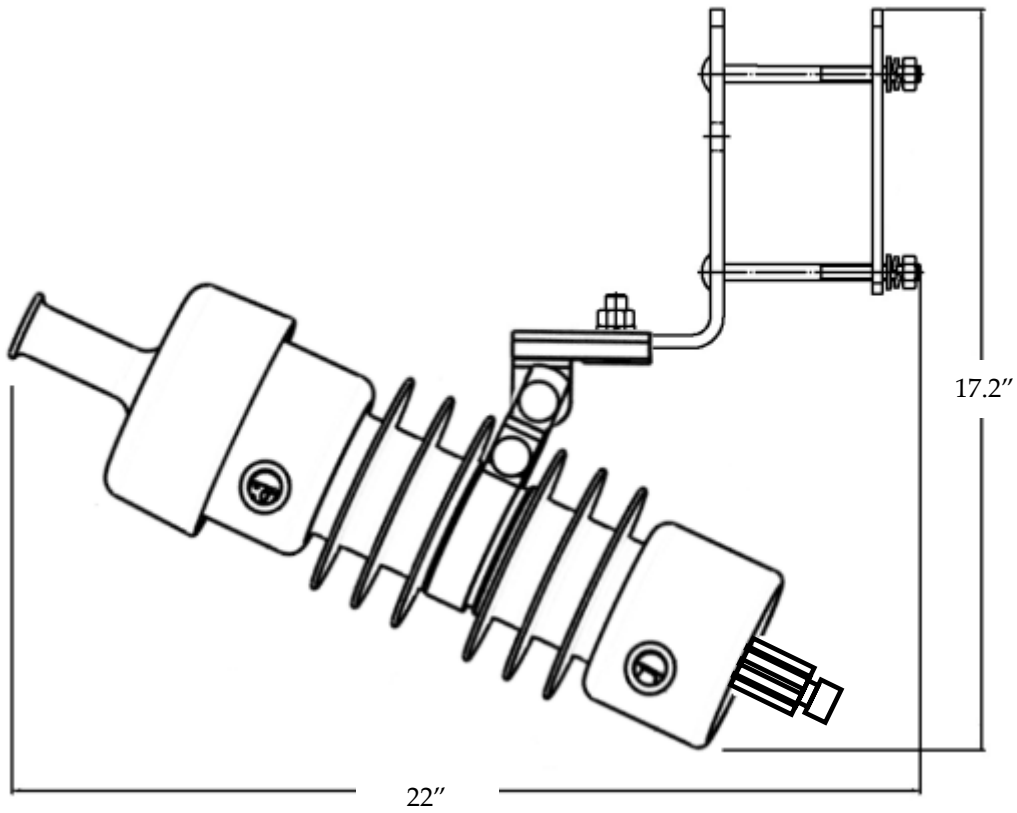
The UV-resistant and hydrophobic silicone insulator further improves on the enclosed cutout/disconnect's high leakage distance and withstand characteristics to make it THE choice in coastal regions or high pollution areas. This reduces the need to replace corroded cutouts.

The enclosed cutout/disconnect is also highly suitable as a switching and protecting device for distribution transformers, capacitor banks and sectionalizing points.

Its light weight allows for easy handling and reduced installation time.

All of these combine to protect the lineman and animals and assist utility companies lower their overall cutout costs.

Note: Impact Power has a continuous product improvement policy and reserves the right to change design and specifications without notice.



Note: Impact Power has a continuous product improvement policy and reserves the right to change design and specifications without notice.